

LED TRACK LIGHTS
PRODUCT SERIES DATASHEET



LED Track lights



88Light LED Track light has been widely applied in: household lighting, business center, super market, chain operation store, restaurant, hotel, interior decoration, wedding photography, large exhibition engineering and so on. As it's easy installation, beautiful appearance and high photosynthetic efficiency.

Applications:



Brand
authoriezd store



Exhibition hall



Shopping Mall



Jewelry
Store

PRODUCT FEATURES

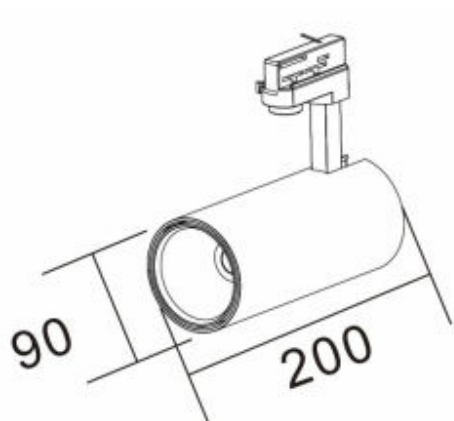
- Multiple color available, high power, high brightness for commercial lighting.
- Fire inflaming retarding Base.
- Adopt High quality LED Chip-CITIZEN/CREE/EPISTAR/LUMINUS.
- Wide range of input voltage from AC85-265V (Normal Non-Dimmable).
- Direction adjustable 355 degree in horizontal and 90 degree in vertical.
- No UV or IR radiation, No dark area, No Flickering to the eyes.
- Multiple of colors options: 2700K,3000K,3500K,4000K,5000K,6500K.
- High CRI 80/90/95.
- Non-Dimmable/TRIAC Dimmable options.
- Beam angle options: 13°/24°/38°/60° (Different beam angle, the reflector maybe different).
- Long lifespan more than 50000 Hours (based on 14 hours working every day).
- CE RoHS Certificated.



LED TRACK LIGHTS
 PRODUCT SERIES DATASHEET



PRODUCT DIAGRAM¹



Product Name	D [mm]	L [mm]	H Base [mm]
88L-TL-12W-13	90	200	148
88L-TL-15W-13	90	200	148
88L-TL-20W-13	90	200	148
88L-TL-25W-13	90	200	148
88L-TL-30W-13	90	200	148
88L-TL-35W-13	90	200	148

Note 1: the dimension of the product is only for reference, the tolerance of measurement of size intensity±2mm (diameter and length).

LED TRACK LIGHTS
PRODUCT SERIES DATASHEET



TECHNICAL DATA

Electrical characteristics^{2, 3, 4:}

Product Name	Operating Voltage [Vac] ⁴	Frequency [Hz]	Power [W]	Power Factor	Material	Dimmable [Y/N]	IP Grade
88L-TL-12W-13	85~265	50 / 60	12	>0.9	Aluminum & PC	N	IP20
88L-TL-15W-13	85~265	50 / 60	15	>0.9	Aluminum & PC	N	IP20
88L-TL-20W-13	85~265	50 / 60	20	>0.9	Aluminum & PC	N	IP20
88L-TL-25W-13	85~265	50 / 60	25	>0.9	Aluminum & PC	N	IP20
88L-TL-30W-13	85~265	50 / 60	30	>0.9	Aluminum & PC	N	IP20
88L-TL-35W-13	85~265	50 / 60	35	>0.9	Aluminum & PC	N	IP20

Note 2: Absolute ratings @ 25°C.

Note 3: Operating temperature -25~+45°C, storage temperature -30~+80°C.

Note 4: TRIAC dimmable driver input voltage is AC220-240V and for other brand/dimmable function, the input voltage range will be different.

Optical Characteristics^{2, 5, 6:}

Product Name	Color	Color Temperature [°K]	Luminescence ⁵ [lm]	CRI ⁶ (Ra)	Beam Angle [°]
88L-TL-12W-13-CW	Cool White	6500	1440	>90	13/24/38/60
88L-TL-12W-13-NW	Nature White	4000	1400	>90	13/24/38/60
88L-TL-12W-13-WW	Warm White	2700-3000	1360	>90	13/24/38/60
88L-TL-15W-13-CW	Cool White	6500	1800	>90	13/24/38/60
88L-TL-15W-13-NW	Nature White	4000	1700	>90	13/24/38/60
88L-TL-15W-13-WW	Warm White	2700-3000	1600	>90	13/24/38/60
88L-TL-20W-13-CW	Cool White	6500	2400	>90	13/24/38/60
88L-TL-20W-13-NW	Nature White	4000	2300	>90	13/24/38/60
88L-TL-20W-13-WW	Warm White	2700-3000	2200	>90	13/24/38/60
88L-TL-25W-13-CW	Cool White	6500	3000	>90	13/24/38/60
88L-TL-25W-13-NW	Nature White	4000	2900	>90	13/24/38/60
88L-TL-25W-13-WW	Warm White	2700-3000	2800	>90	13/24/38/60

Note 2: Absolute ratings @ 25°C.

Note 5: Tolerance of measurement of luminous intensity±8%.

Note 6: More CRI options, 80, 90 and 95.

LED TRACK LIGHTS
PRODUCT SERIES DATASHEET



TECHNICAL DATA

Optical Characteristics^{2, 5, 6}:

Product Name	Color	Color Temperature [°K]	Luminescence ⁵ [lm]	CRI ⁶ (Ra)	Beam Angle [°]
88L-TL-30W-13-CW	Cool White	6500	3600	>90	13/24/38/60
88L-TL-30W-13-NW	Nature White	4000	3500	>90	13/24/38/60
88L-TL-30W-13-WW	Warm White	2700-3000	3400	>90	13/24/38/60
88L-TL-35W-13-CW	Cool White	6500	4200	>90	13/24/38/60
88L-TL-35W-13-NW	Nature White	4000	4100	>90	13/24/38/60
88L-TL-35W-13-WW	Warm White	2700-3000	4000	>90	13/24/38/60

Note 2: Absolute ratings @ 25°C.

Note 5: Tolerance of measurement of luminous intensity±8%.

Note 6: More CRI options, 80, 90 and 95.

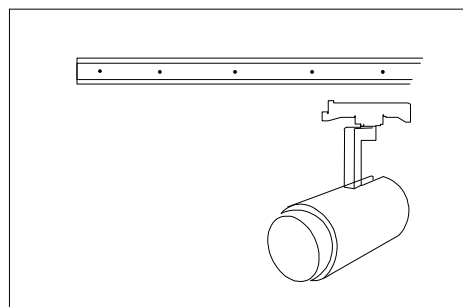
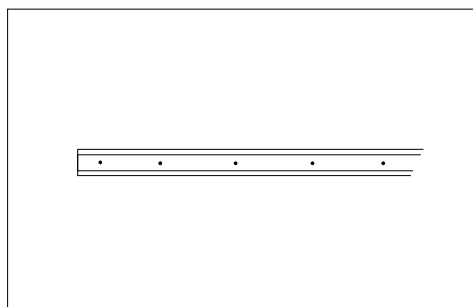
PRODUCT INSTALLATION

Precaution: Switch off power before doing any works.

1. Installation with trackrail.

Step 1: Drill holes for the track rail where the lamp will be installed.

Step 2: Place the lamp into the track rail And adjust the direction of the light.

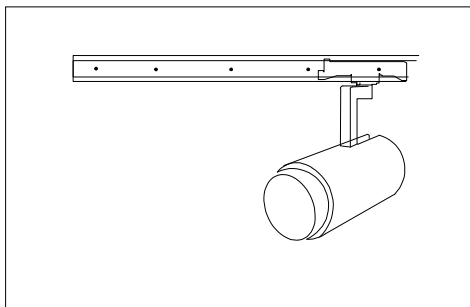


LED TRACK LIGHTS PRODUCT SERIES DATASHEET

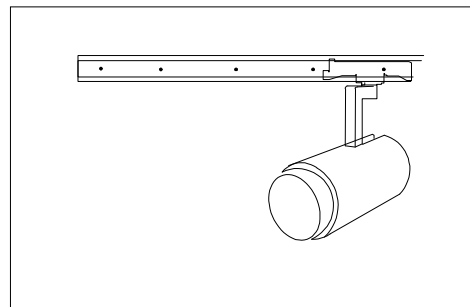


PRODUCT INSTALLATION

Step 3: Connect the cables and test the lamp.



Step 4: Adjust the direction of the lamp.



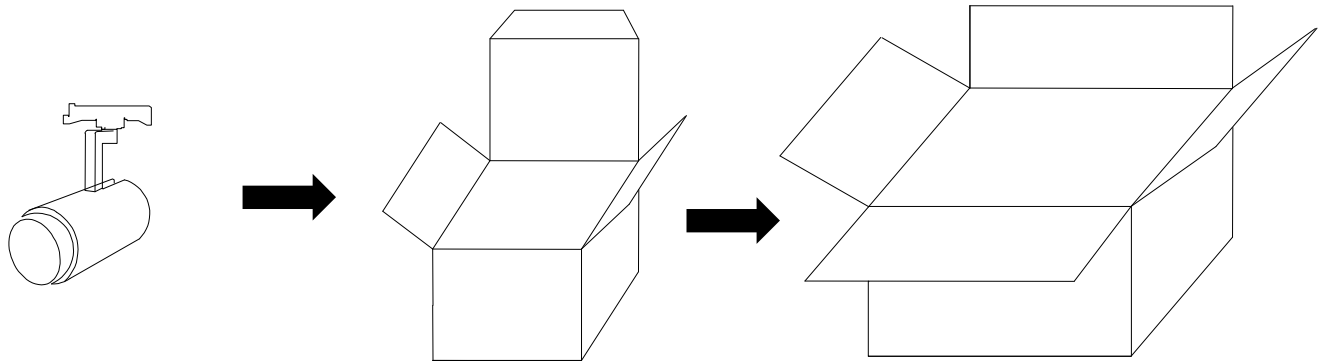
SAFETY

1. **Always** consult a qualified, licensed electrician prior to the installation of this product.
2. **Always** ensure that all components are joined properly before they are installed.
3. It is recommended that adequate airflow and heat sink be taken into account in the application and installation of this product. Improper thermal management may lead to premature failure.
4. If any doubt about the installation or use of this product, consult a competent electrician.
5. Exceeding the operating temperature values may damage LED chips by reducing the total lamp life and lumen output, and inversely impact color consistency.
6. Switch off power of the mains supply or respectively of the connection lead before doing any works.
7. Avoid voltage drops by using a dedicated line for each maximum power consumption line
8. The manufacturer rates each power supply for maximum power output at optimum thermal and voltage conditions. As with any power supply, true actual maximum continuous current output depends upon various environmental factors such as ambient temperature, line voltage fluctuations, and orientation that may affect heat dissipation. For optimum performance, make sure the load is between 50% and 80% of the total capacity of the power supply.
9. LED products are continuously being improved upon in ever-shortening manufacturing cycles. LED color temperature (kelvin), lumen output, and product appearance can change from order to order. Please note that variation in color temperature (kelvin) is commonly +/- 250k and brightness (lumens) is +/- 10%.
10. Indoor use only.

LED TRACK LIGHTS
PRODUCT SERIES DATASHEET



PACKING ⁷:



Product Name	Box size	Carton size	Unit Weight	Qty/Carton	Gross Weight
88L-TL-12W-13	100x100x310mm	36x34x46cm	1.34 Kg	12	18 kg
88L-TL-15W-13	100x100x310mm	36x34x46cm	1.34 Kg	12	18 kg
88L-TL-20W-13	100x100x310mm	36x34x46cm	1.34 Kg	12	18 kg
88L-TL-25W-13	100x100x310mm	36x34x46cm	1.34 Kg	12	18 kg
88L-TL-30W-13	100x100x310mm	36x34x46cm	1.34 Kg	12	18 kg
88L-TL-35W-13	100x100x310mm	36x34x46cm	1.34 Kg	12	18 kg

Note 7: The package information is only for reference.

OTHER 88Light PRODUCTS:

For more information about 88Light products, or to use our online energy saving calculation software please visit our website

www.88light.com

DISCLAIMER:

88Light reserves the right to modify the design of our products as part of the company’s program of continuous improvement. 88Light cannot guarantee to match existing installed product for subsequent orders or replace the product exactly to match the product you are replacing in product appearance, color, or brightness. Specifications are subject to change without notice.